

Product : P10*

Stainless Steel Fittings

Elbow 90°C Male-Female

Features

Made of AISI 316 (Casting)

Thread according to ISO 7-1 (EN 10226-1) Std.

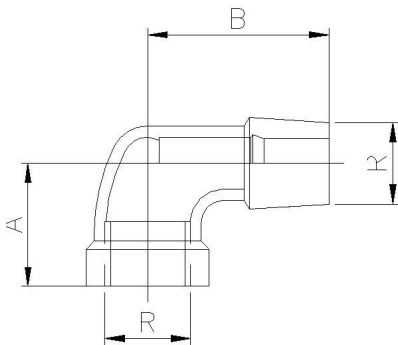
Dimensions according to ISO 4144 Std

Max. working pressure 20 Bar (S-150).

Temperature ratings -20 °C to 220 °C.



General Dimensions



REF.	Size (R)	Dimension A (MM)	Dimension B (MM)
	1/4"	19	27
	3/8"	23	29
	1/2"	27	35
	3/4"	32	40
	1"	38	46
	1-1/4"	45	54
	1-1/2"	48	57
	2"	57	70
	2-1/2"	69	83
	3"	78	94
	4"	96	115

Your direct line for Industrial Supply